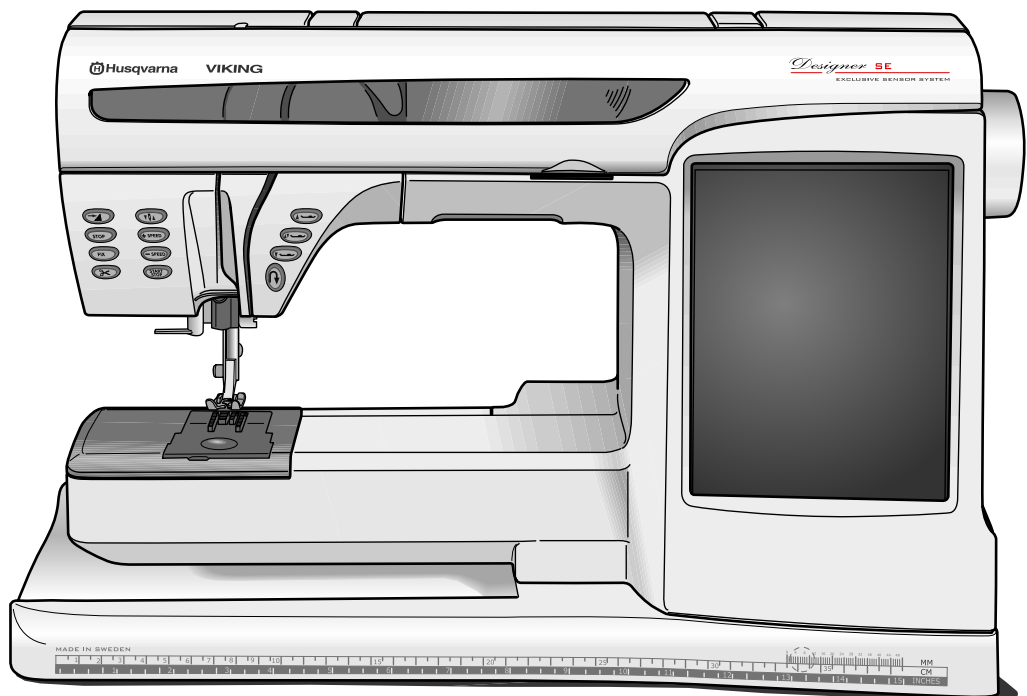


Parts List

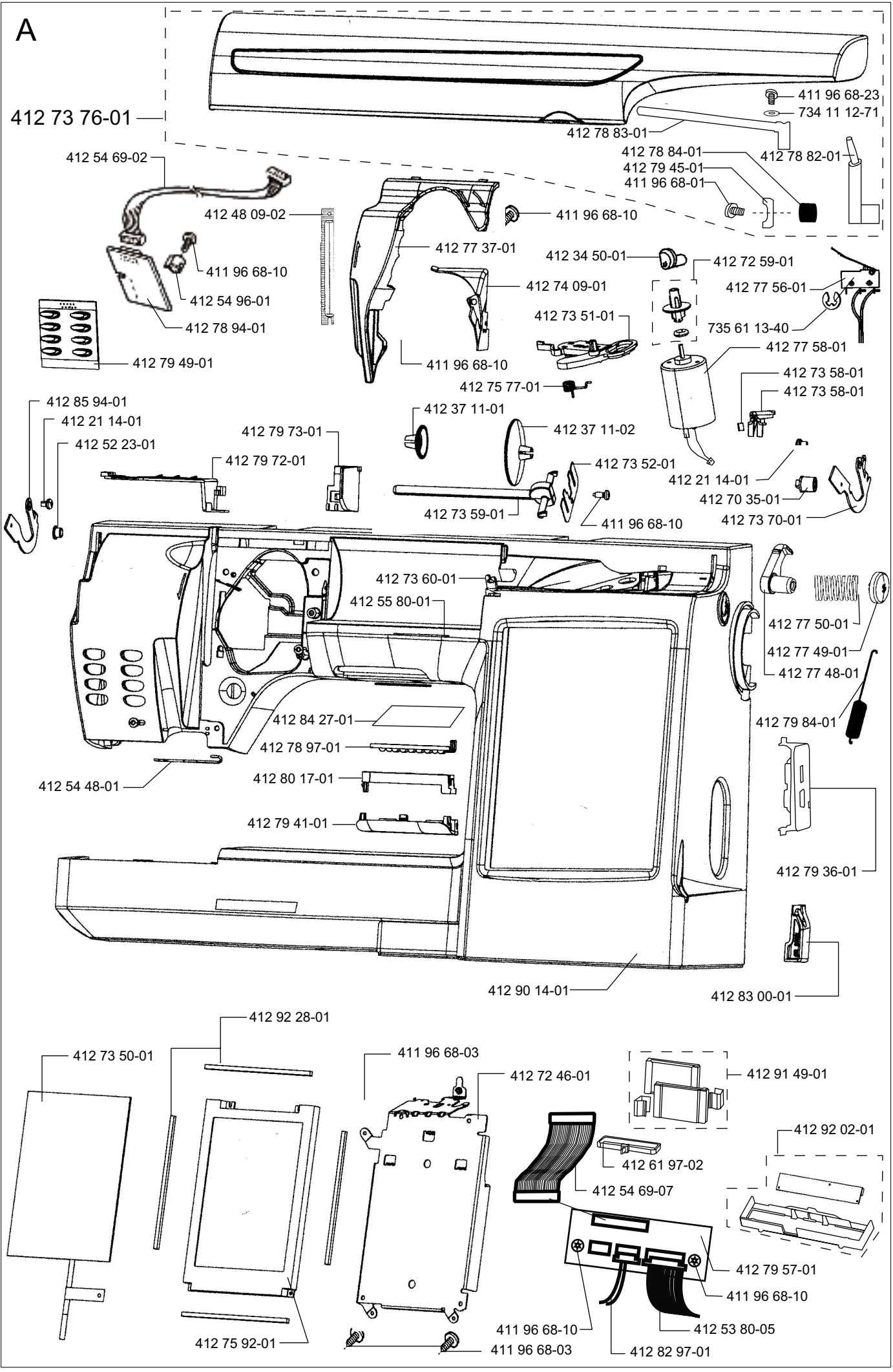


Designer **SE**

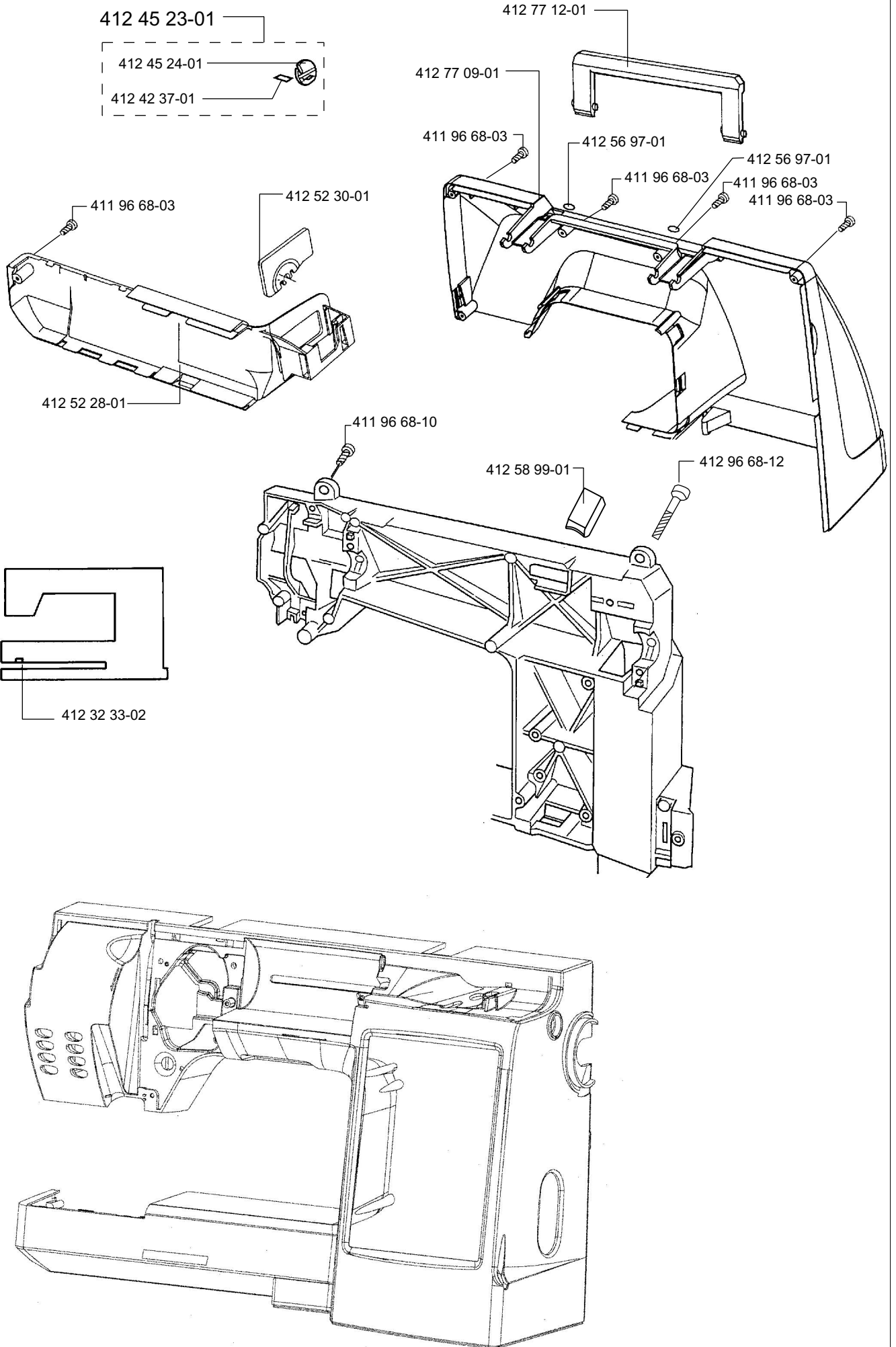
EXCLUSIVE SENSOR SYSTEM

Part No	Description	Page	Part No	Description	Page
412 77 58-01	Spool motor bobbin wind	A	USERS GUIDE		
412 77 64-04	Elastic bag with acc.	O	412 77 52-01	Users guide Swe	O
412 77 69-01	Grease protection cap	E	412 77 52-06	Users guide Den	O
412 77 96-01	Guide	F	412 77 52-10	Users guide Jap	O
412 77 97-01	Bar feed dog lowering	F	412 77 52-11	Users guide Fin	O
412 77 98-01	Attachment, bar	G	412 77 52-21	Users guide Nor	O
412 77 99-01	Clamp	F	412 77 52-26	Users guide Eng	O
412 78 39-01	Looking hatch	P	412 77 52-31	Users guide Fra	O
412 78 74-01	Circuit board	M	412 77 52-36	Users guide Dutch	O
412 78 82-01	Guide, real pin	A	412 77 52-41	Users guide Ita	O
412 78 83-01	Thread holder	A	412 77 52-46	Users guide Spa	O
412 78 92-01	Distance washer	F	412 77 52-51	Users guide Ger	O
412 78 94-01	Circuit board, push buttons left	A	412 77 52-56	Users guide Rus	O
412 78 96-01	Stitch plate	D	412 77 52-60	Users guide Por	O
412 78 97-01	E-light	A	Sewing Hand Book		
412 79 06-01	Feed teeth	G	412 82 22-01	Sewing Hand Book Swe	O
412 79 28-01	E-Light cpl sewing head	K	412 82 22-06	Sewing Hand Book Den	O
412 79 36-01	USB port cover	A	412 82 22-10	Sewing Hand Book Jap	O
412 79 38-45	Circuit board	C	412 82 22-11	Sewing Hand Book Fin	O
412 79 41-01	Lamp shield	A	412 82 22-21	Sewing Hand Book Nor	O
412 79 45-01	Bushing	A	412 82 22-26	Sewing Hand Book Eng	O
412 79 49-01	Push buttons	A	412 82 22-31	Sewing Hand Book Fra	O
412 79 50-01	Knife slide	D	412 82 22-36	Sewing Hand Book Dutch	O
412 79 57-01	Connecting card	A	412 82 22-41	Sewing Hand Book Ita	O
412 79 60-01	Push buttons left	M	412 82 22-46	Sewing Hand Book Spa	O
412 79 66-01	Damper	F	412 82 22-51	Sewing Hand Book Ger	O
412 79 72-01	Cable guide	A	412 82 22-56	Sewing Hand Book Rus	O
412 79 73-01	Cable guide, aum shaft	A	412 82 22-60	Sewing Hand Book Por	O
412 79 84-01	Spring	A			
412 80 17-01	E-light holder	A	412 87 81-01	Silicon grease	
412 81 24-01	Connecting Board, sewing head	K	412 87 82-01	Pushbar	
412 82 91-01	Washer	I			
412 82 97-01	Cable, inverter	A	ACCESSORIES		
412 83 00-01	Stylus holder	A	401 53 99-01	Buttonhole knife	O
412 84 27-01	Cooling tape?	A	401 55 55-01	Brush	O
412 84 28-01	Cooling tape?	K	411 17 32-01	Clearance plate	O
412 84 29-26	Quick ref card	O	412 08 38-47	Marking pen, neutral	O
412 84 30-96	Instruction CD	O	412 56 15-45	Bobbins (10)	O
412 85 94-01	Hinge lid cover left side	A	412 36 14-01	Stitch plate opener	O
412 86 39-01	Spring	M	412 38 15-01	Screw driver	O
412 87 70-01	Washer	F	412 39 77-01	Net	O
412 88 01-01	Cog gear	M	412 44 77-01	Siccor	O
412 88 02-01	Cog gear	M	412 49 06-01	Templet pencil	O
412 88 03-01	Spring	M	412 57 01-01	Sleeve, lamp	O
412 90 12-01	Motor cpl.	C	412 60 19-01	Guide	O
			92 00 73-001	USB Embroidery Stick 32MB	R
412 90 13-01	Sewing Head cpl.	K			
412 90 14-01	Front cover cpl.	A	PRESSER FEET		
412 90 15-01	Hook cover	D	411 73 95-01	Edge guide G	O
412 90 16-01	Hook Cover cpl	D	411 85 30-01	Presser foot H	O
412 90 89-01	Spring	G	412 00 16-01	Presser foot, decorative stitches	O
412 91 49-01	Resrite case	A	412 03 73-01	Presser foot A	O
412 92 02-01	LCD transformer cpl.		412 79 52-01	Presser foot S	O
412 92 03-01	Tension disc kit	M	412 78 53-01	Presser foot C	O
412 92 28-01	Sealing Strip	A	412 78 54-01	Quilting foot B	O
			412 38 02-01	Buttonhole foot C	O
721 41 69-70	Pin	H	412 38 04-01	Presser foot D	O
721 41 87-70	Pin	I,L	412 80 15-01	Zipper foot E	O
721 42 10-10	Pin	I	412 38 06-01	Presser foot J	O
725 52 20-05	Screw M3*6	H	412 40 80-01	Button hole meter, comp.	O
725 52 28-05	Screw	K	412 84 98-01	Presser foot R	O
725 52 85-05	Screw	K			
728 52 17-05	Screw	H,K			
728 52 18-05	Screw	K			
728 52 22-05	Screw M3*8	K			
728 52 83-05	Screw M4*4	G			
728 52 85-05	Screw	K			
728 52 87-05	Screw M4*8	E			
728 82 83-05	Screw	I,L			
734 11 12-71	Washer	A,D			
734 11 25-41	Washer	K			
735 21 36-01	Washer	C			
735 31 08-20	C -Washer	E, P, Q			
735 31 10-20	C - Washer	P, Q			
735 58 23-00	Washer	M			
735 61 13-40	Washer	A,D,M			
735 61 18-40	C-Washer	K,M			
735 61 24-40	C-washer	M			
735 61 36-40	C-washer	F, K,M			
735 61 53-40	C-Washer	K			

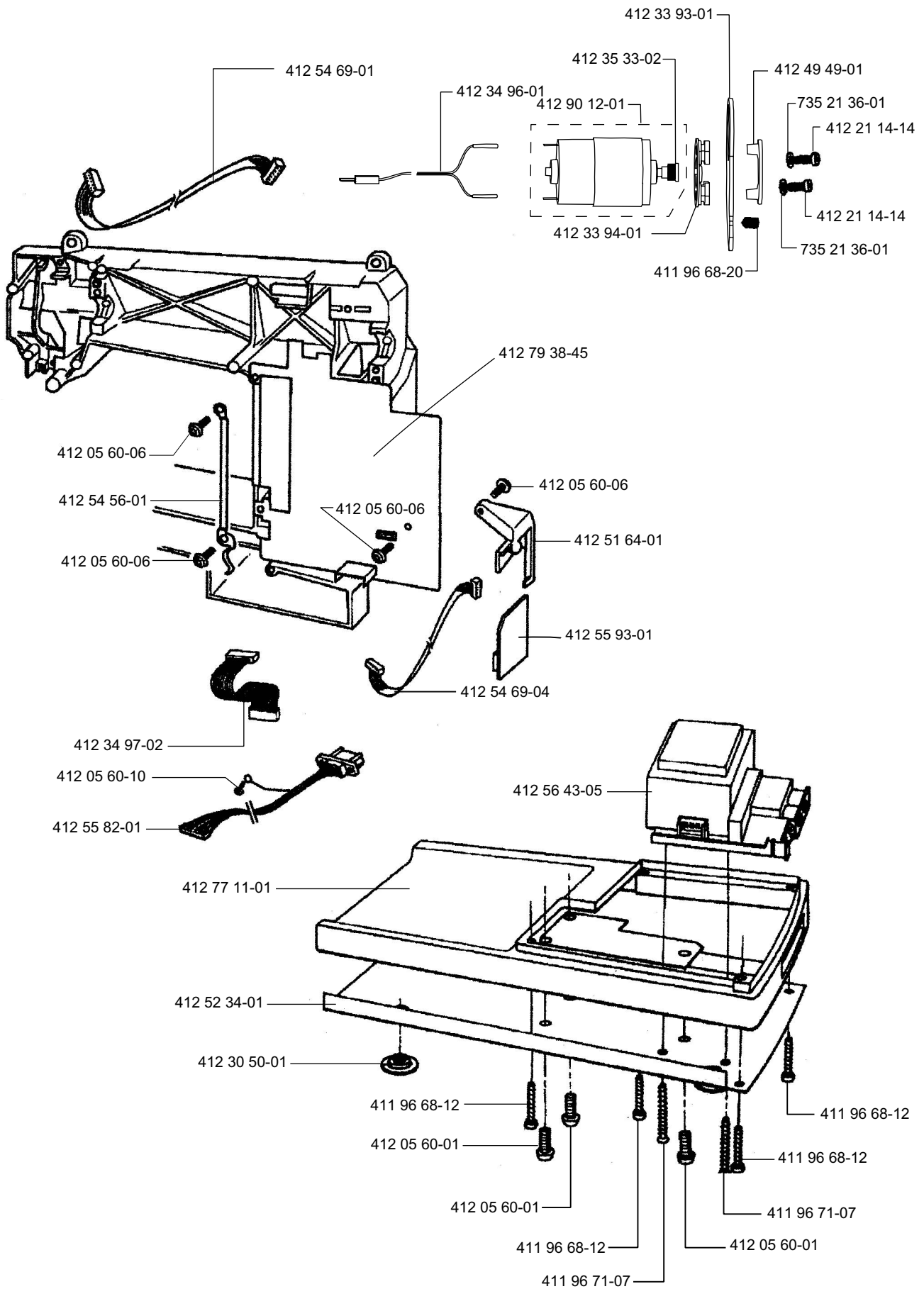
A



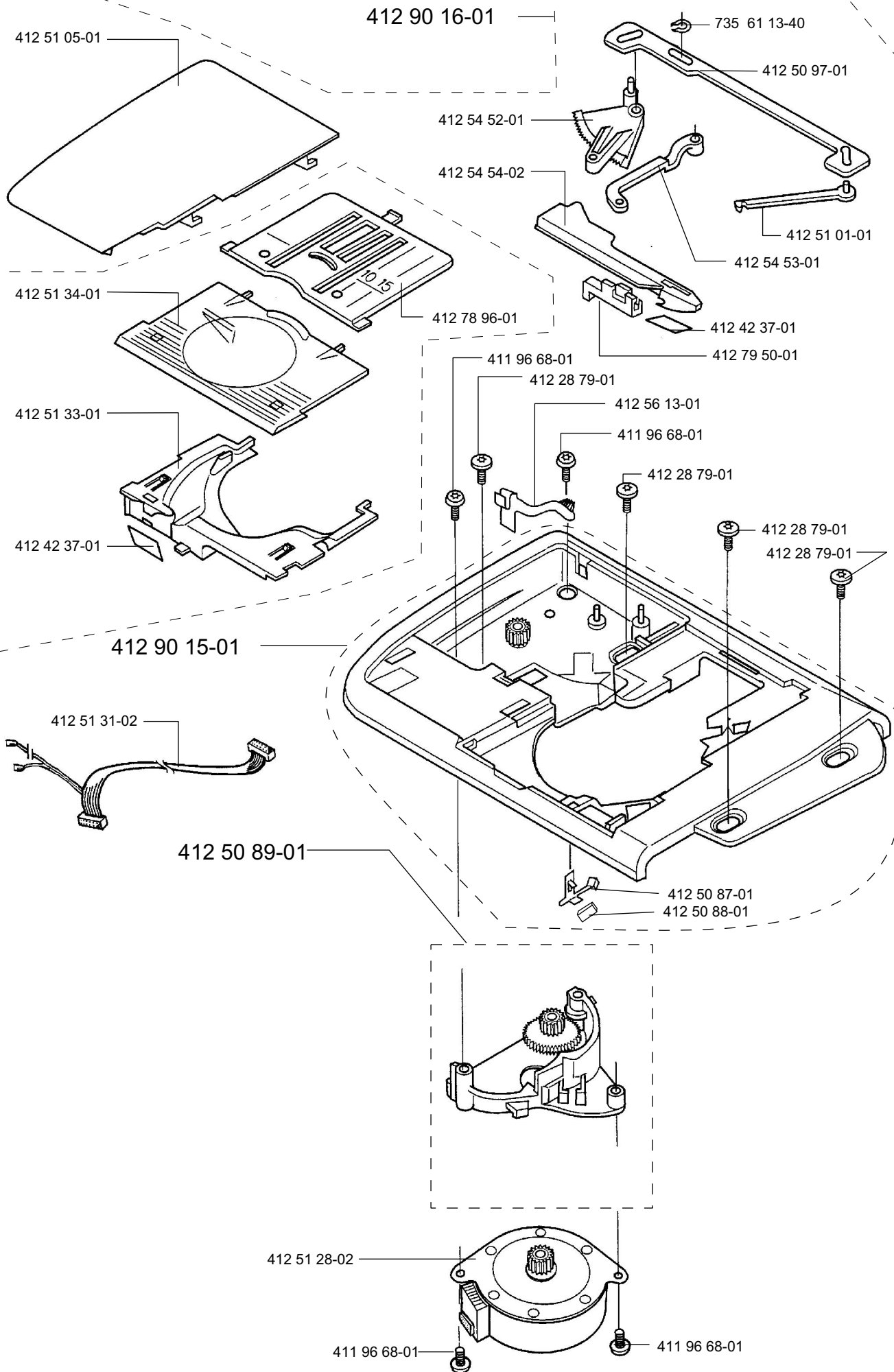
B



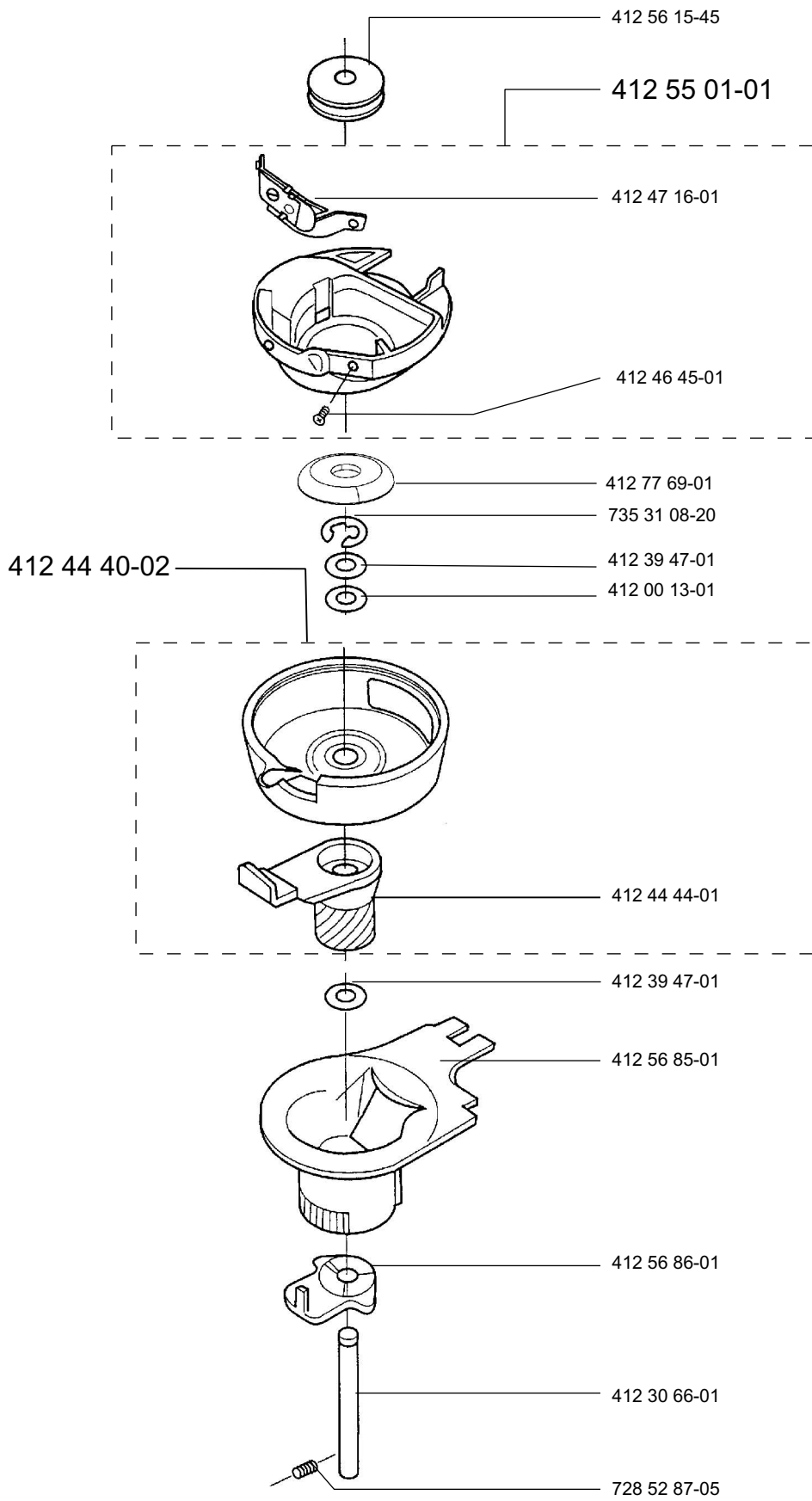
C



D



E



F

412 77 30-01

412 55 62-01

412 77 29-01

412 77 27-01

411 96 87-03

412 79 66-01

412 05 60-04

412 05 60-06

412 05 60-06

412 77 23-01

412 77 96-01

412 50 73-01

735 61 36-40

412 77 99-01

412 05 60-10

412 50 61-01

412 50 66-01

412 05 60-06

412 87 70-01

412 77 24-01

412 78 92-01

412 77 97-01

411 96 87-03

412 77 28-01

412 51 36-03

G

412 51 50-03

412 79 06-01

412 51 37-01

412 21 14-20

412 31 84-01

412 37 82-01

412 51 43-01

412 51 44-01

411 72 10-01

412 51 54-01

412 77 98-01

411 72 10-01

412 51 55-01

412 51 49-01

412 05 60-11

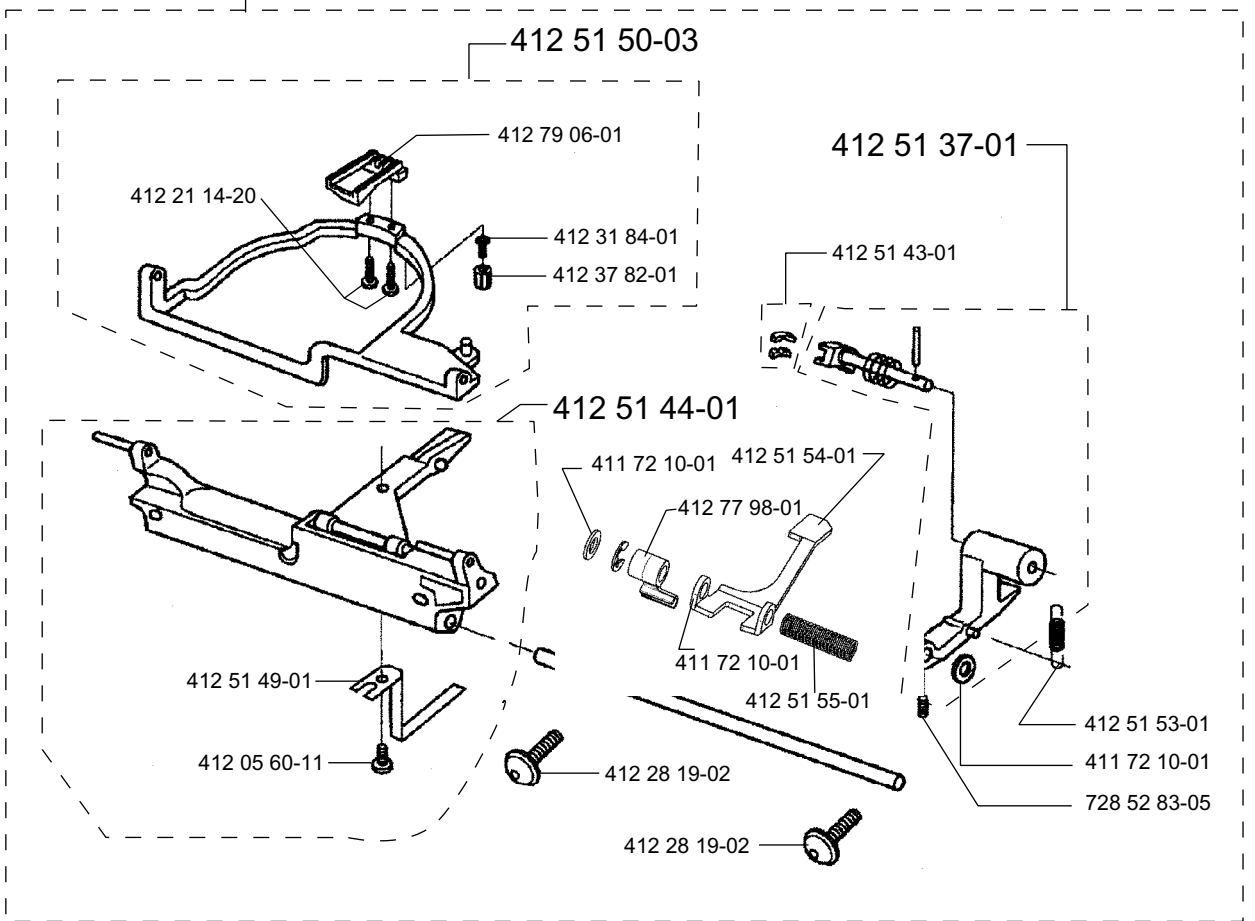
412 28 19-02

412 51 53-01

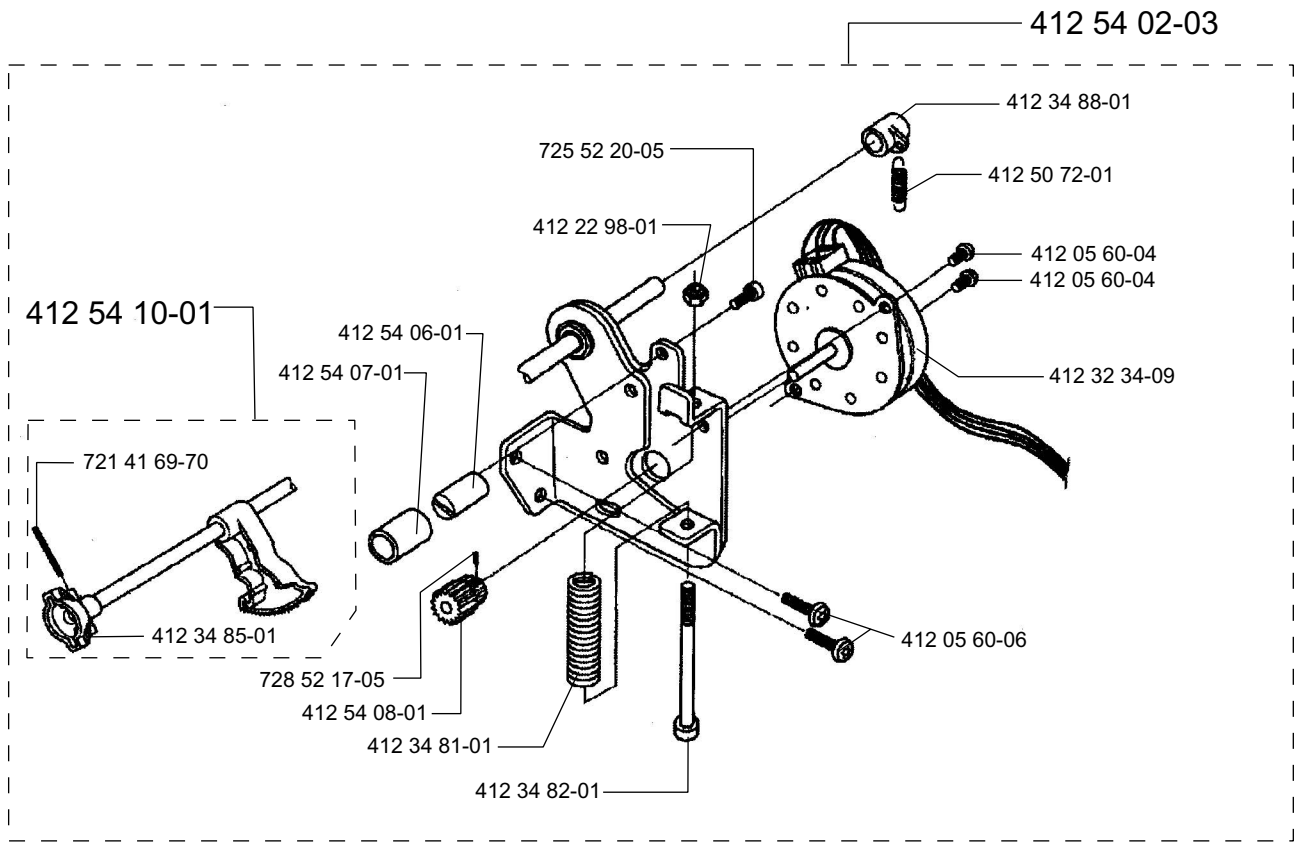
411 72 10-01

728 52 83-05

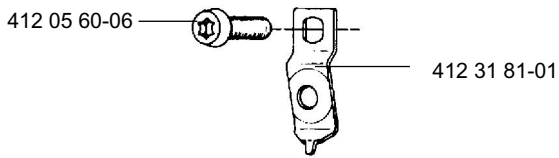
412 28 19-02



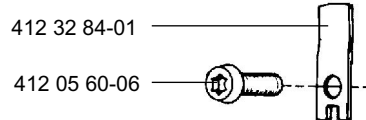
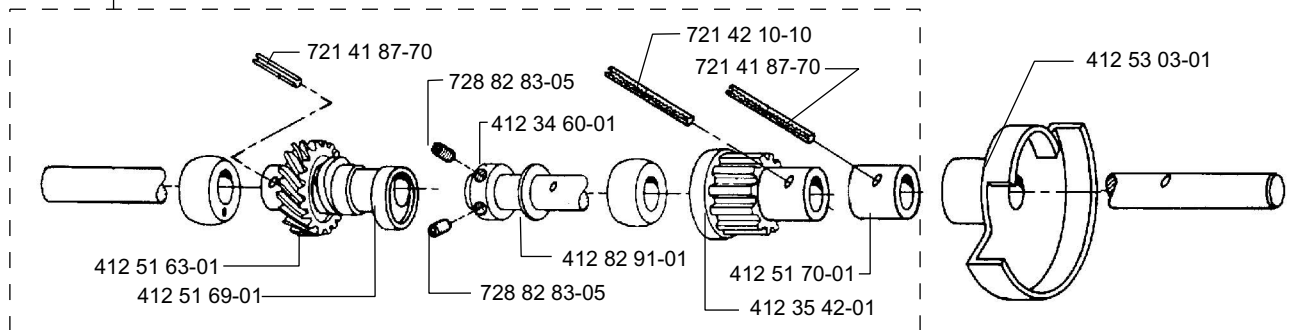
H

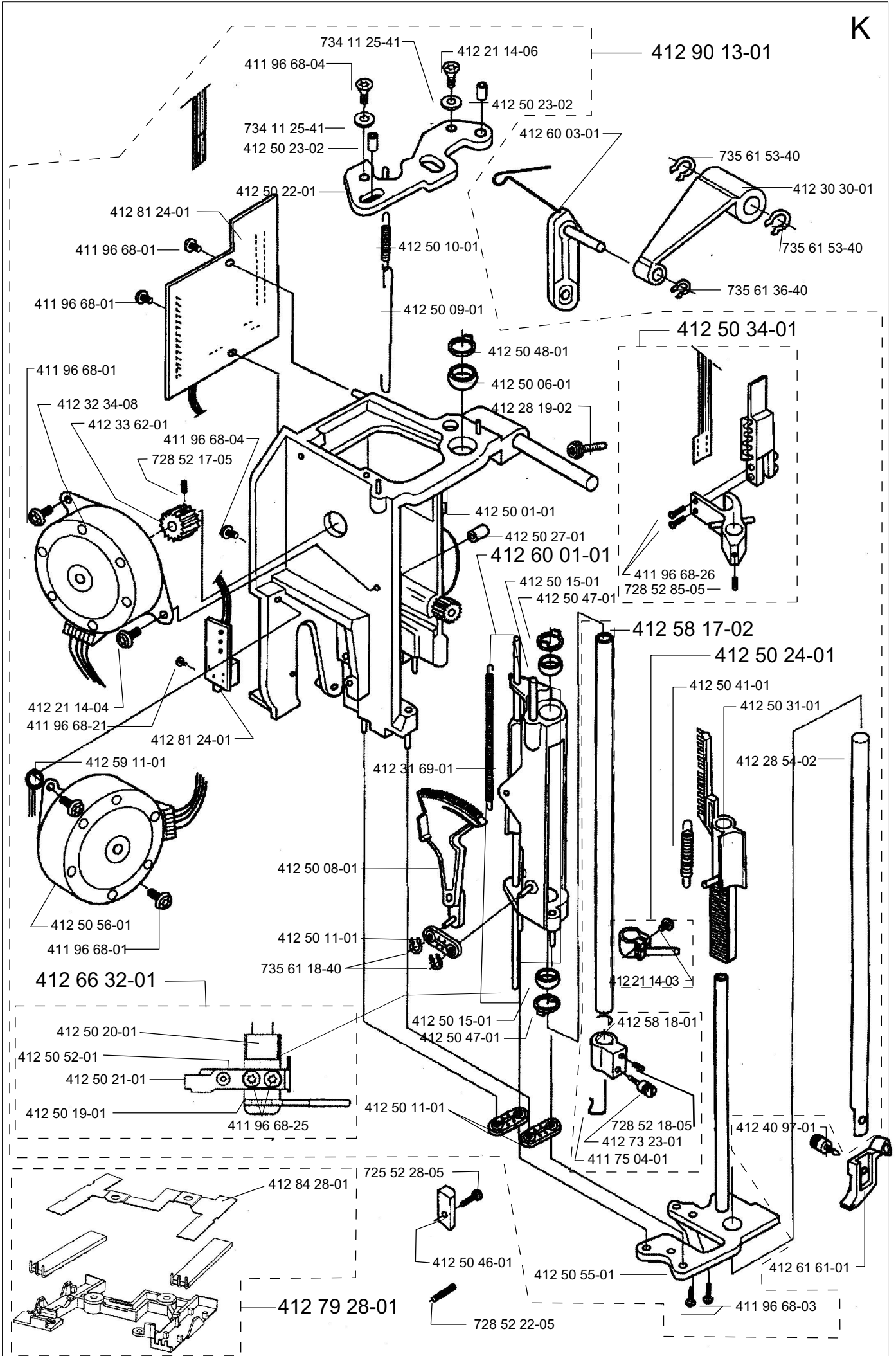


I

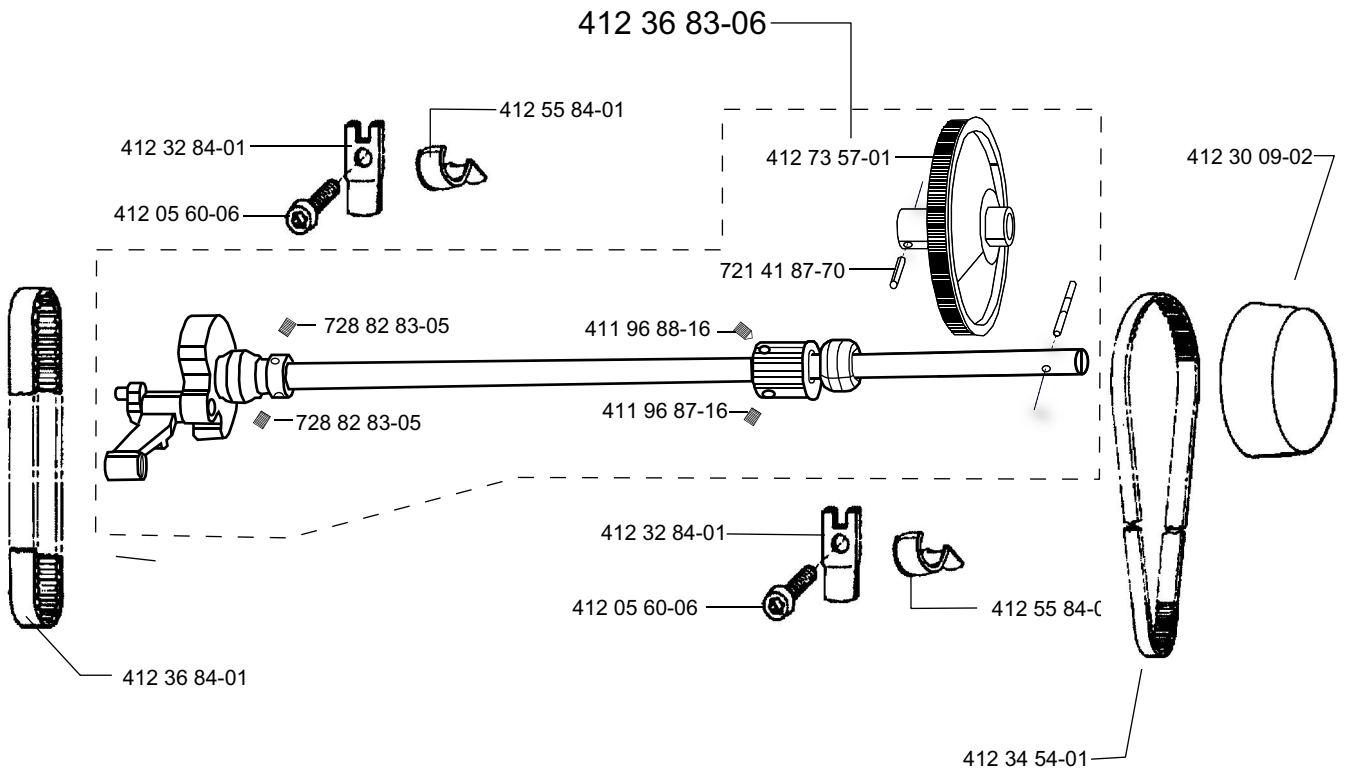


412 51 68-01

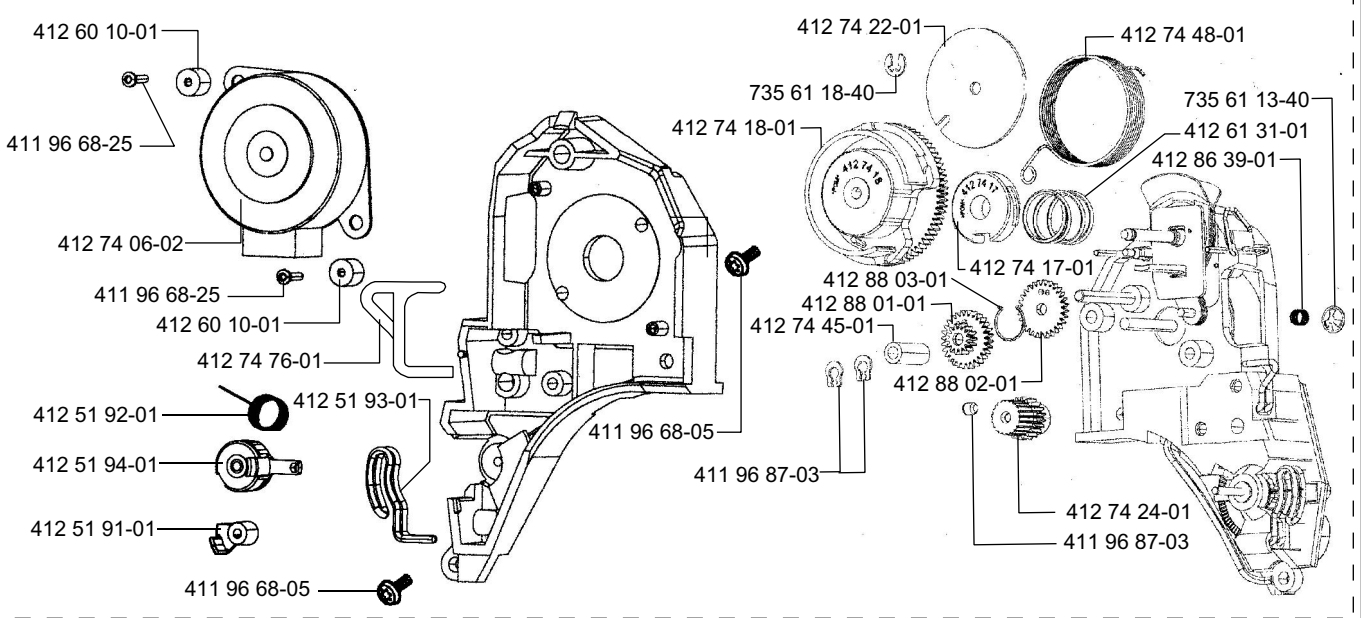
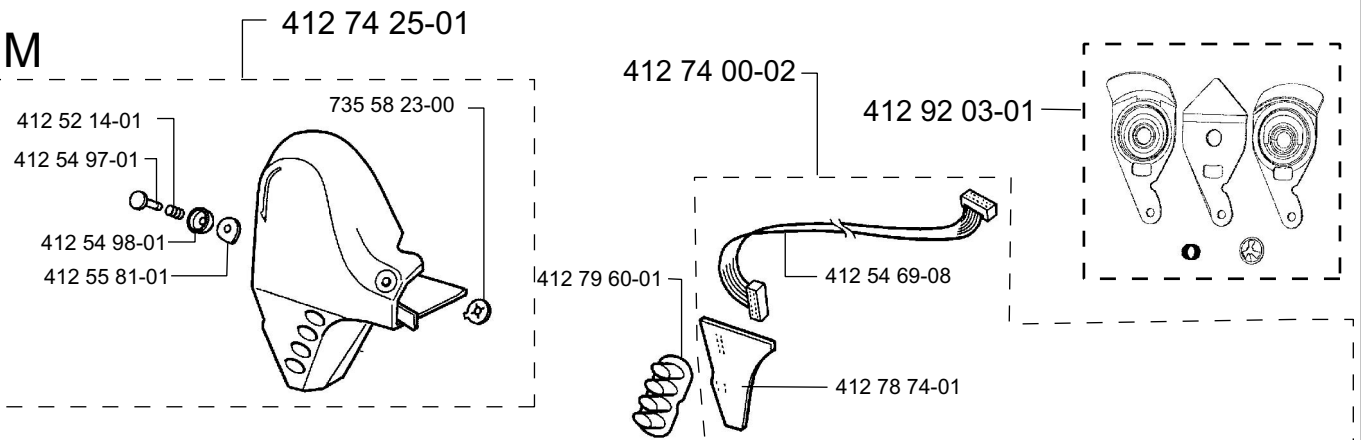




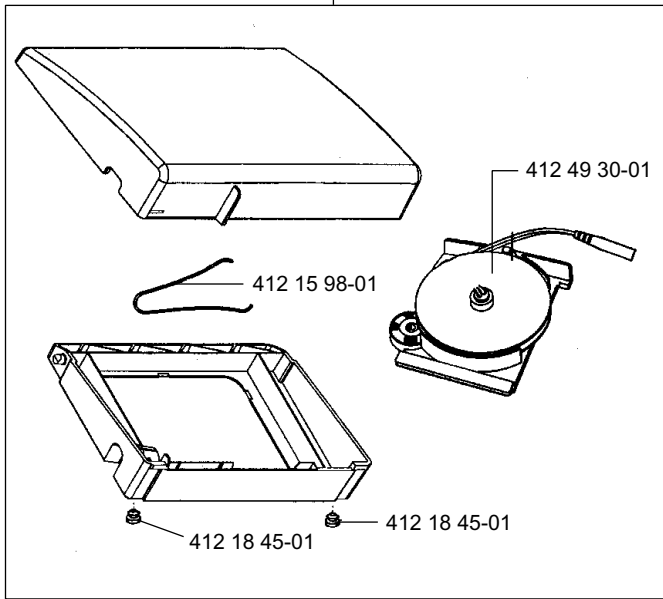
L



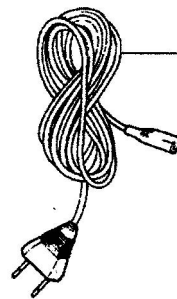
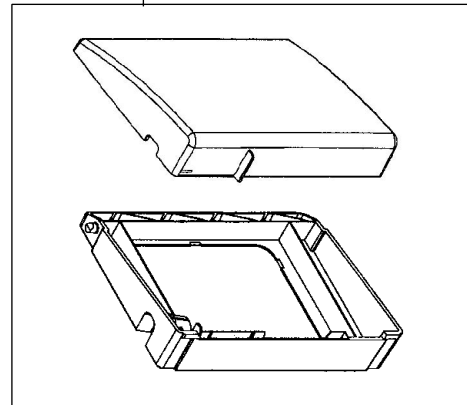
M



412 49 25-01

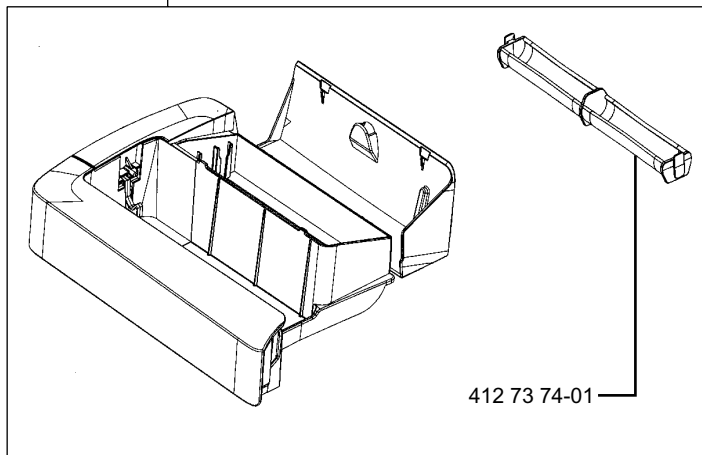


412 74 61-01

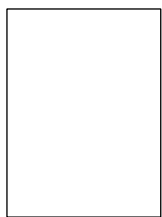
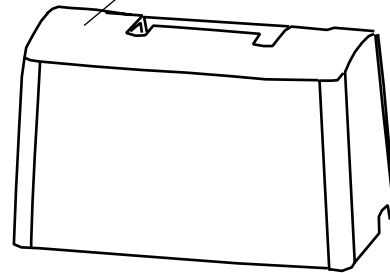


- 412 15 78-01 220 V
- 412 15 79-02 Japan
- 412 15 79-03 120 V
- 412 15 80-02 England
- 412 15 81-01 Australia

412 73 71-01



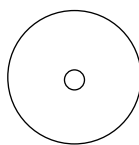
412 77 47-01



412 77 64-04
Bruch, bobbins,
Presserfeet etc



Quick ref card
412 84 29-26

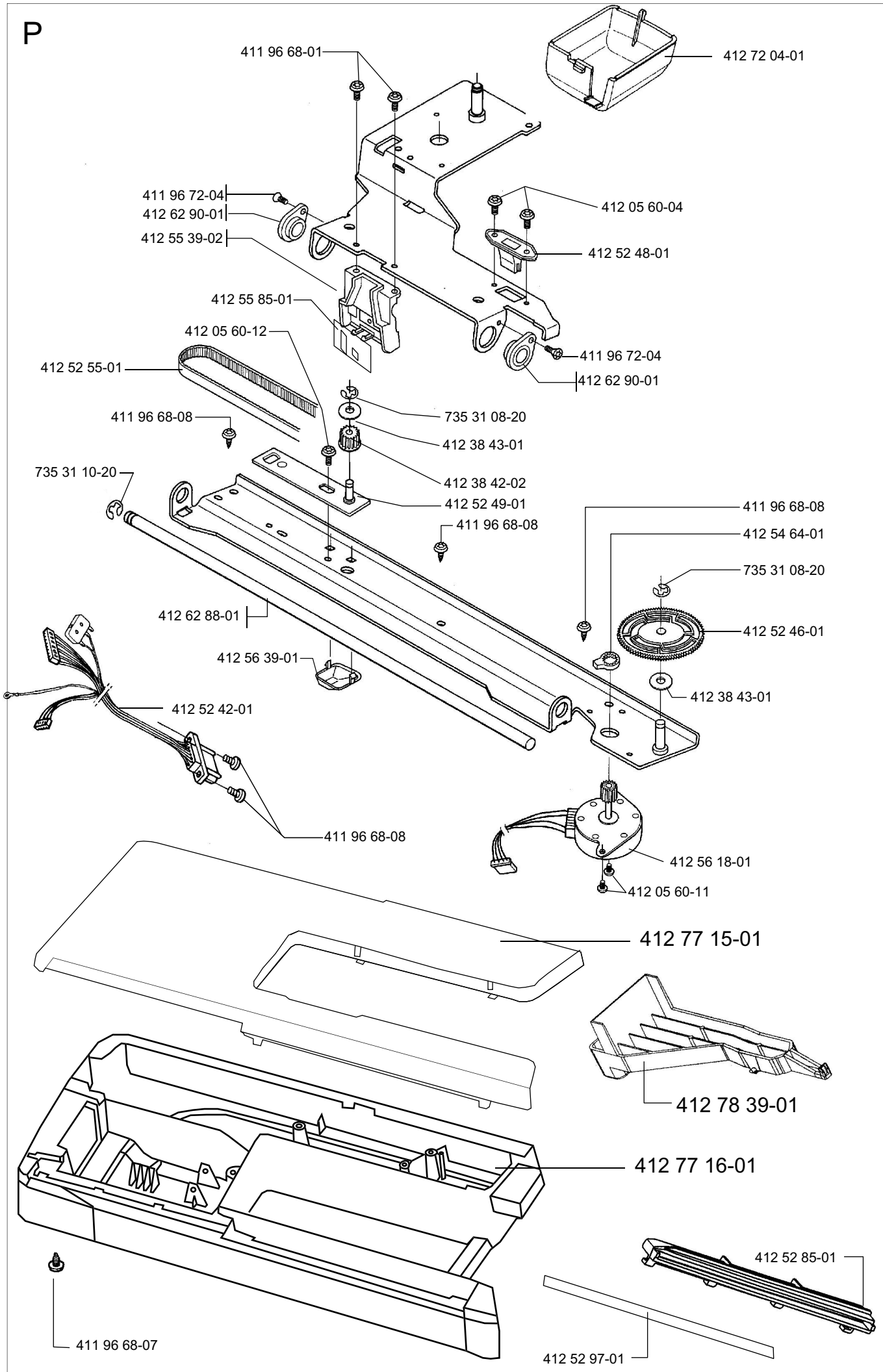


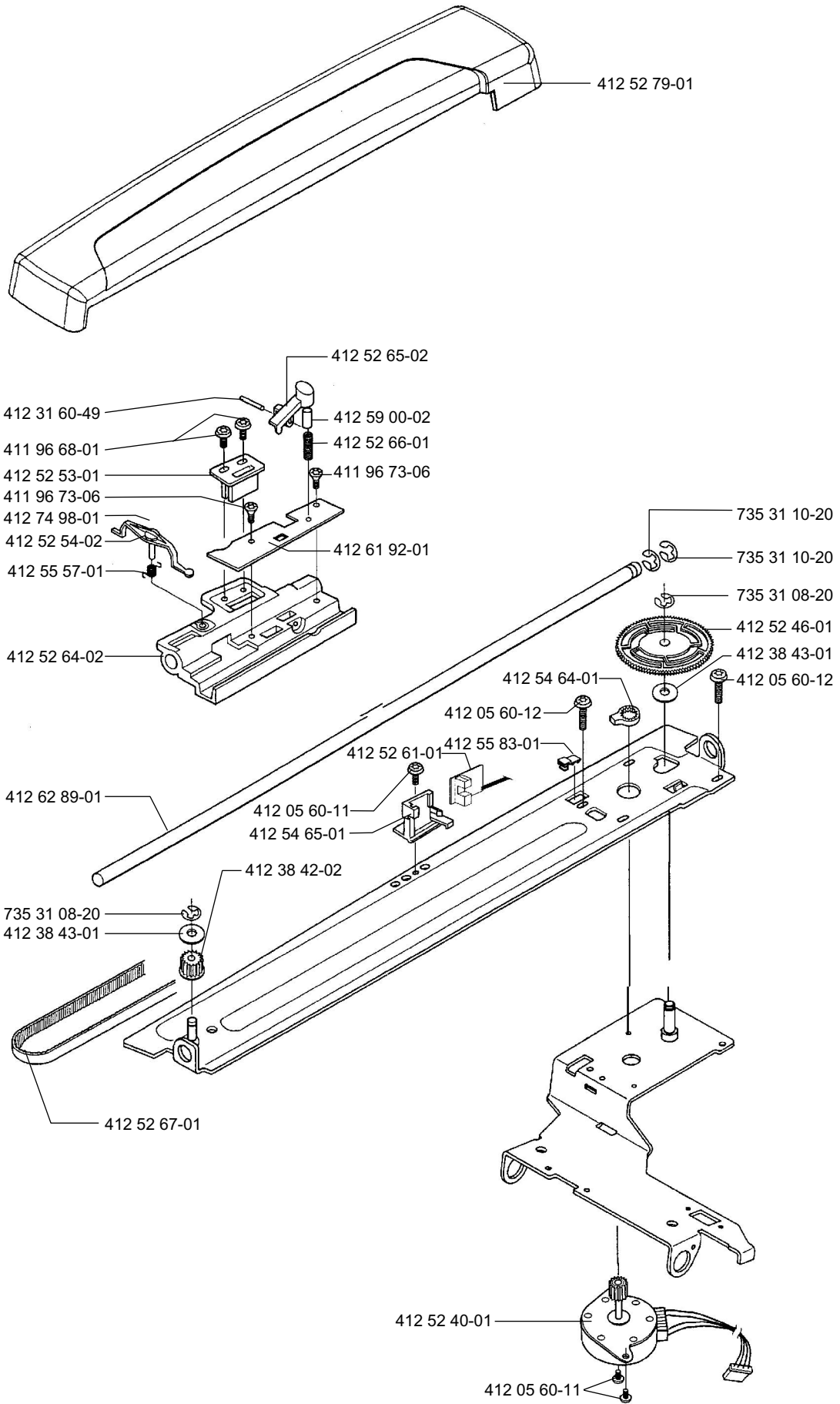
Instruction CD
412 84 30-96

- Sewing Hand Book
- 412 82 22-01 Swe
 - 412 82 22-06 Den
 - 412 82 22-10 Jap
 - 412 82 22-11 Fin
 - 412 82 22-21 Nor
 - 412 82 22-26 Eng
 - 412 82 22-31 Fra
 - 412 82 22-36 Dutch
 - 412 82 22-41 Ita
 - 412 82 22-46 Spa
 - 412 82 22-51 Ger
 - 412 82 22-56 Rus
 - 412 82 22-60 Por

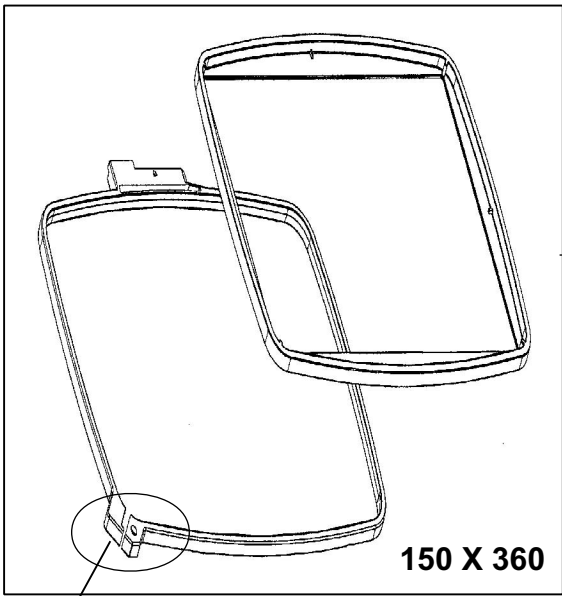
- Users Guide
- 412 77 52-01 Swe
 - 412 77 52-06 Den
 - 412 77 52-10 Jap
 - 412 77 52-11 Fin
 - 412 77 52-21 Nor
 - 412 77 52-26 Eng
 - 412 77 52-31 Fra
 - 412 77 52-36 Dutch
 - 412 77 52-41 Ita
 - 412 77 52-46 Spa
 - 412 77 52-51 Ger
 - 412 77 52-56 Rus
 - 412 77 52-60 Por

P



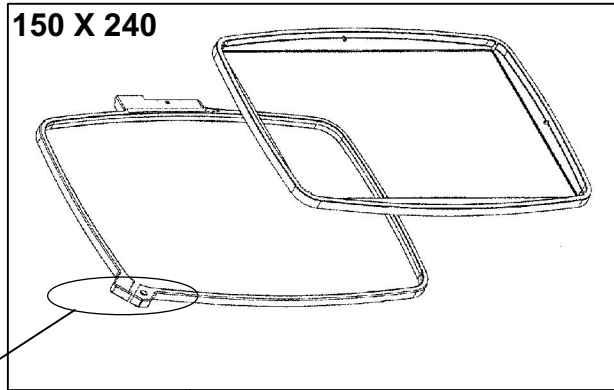


R



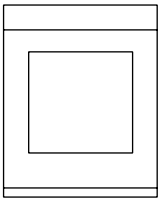
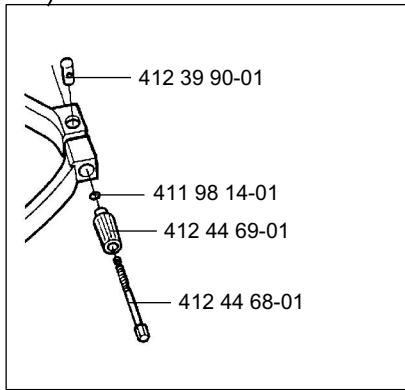
412 62 55-02

150 X 360

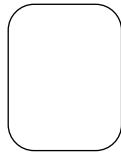


150 X 240

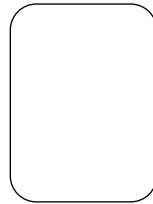
412 52 71-02



412 58 06-96
 Designer 1
 Embroidery
 Collection broshur



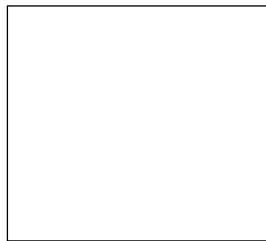
412 53 74-01
 Templet
 100x100



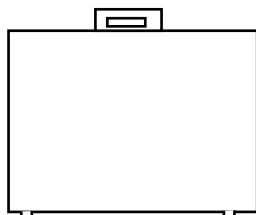
412 53 75-01
 Templet
 150x240



412 56 58-01
 Zipper bag



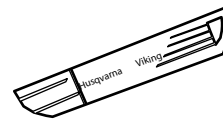
412 56 54-01
 Accessories
 Siccer, Thread,
 Fabrics.



412 65 45-04
 Embroidery box



412 65 18-01
 Bag with 10 Hoop clips



92 00 73-001
 USB Embroidery Stick
 32MB



412 69 34-01
 Stylus